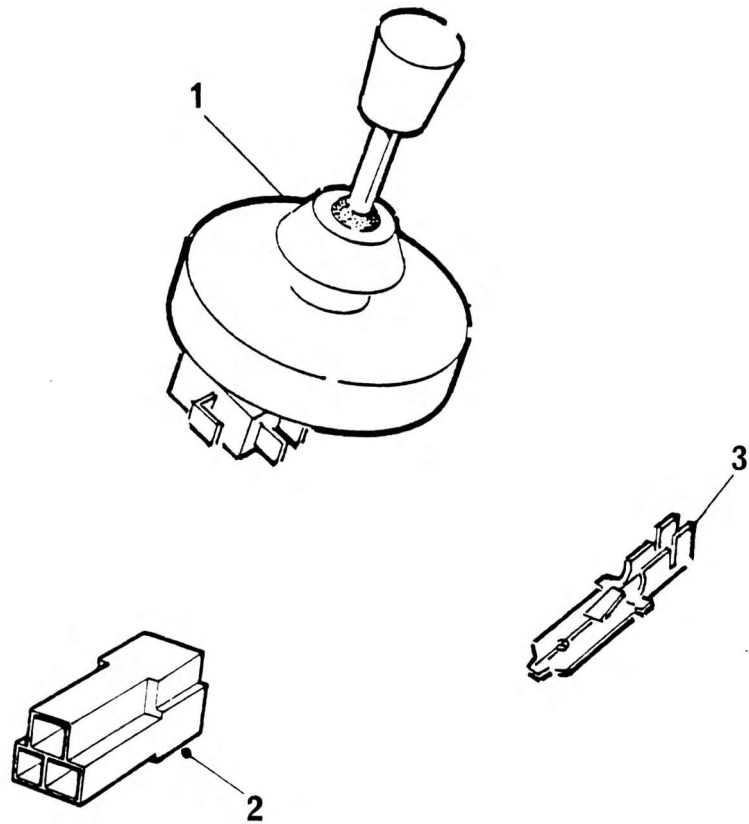


SWITCH ASSY REAR STEER TILLER



| NO. | PART NO. | QTY. | DESCRIPTION | NO. | PART NO. | QTY. | DESCRIPTION |
|-----|--------------|------|---|-----|----------|------|-------------|
| 1 | 8789988 | 1 | Rear Steer Switch | | | | |
| 2 | 7-892-990013 | 1 | Housing Three Tab | | | | |
| 3 | 8786860 | 3 | Connector Tab 'Male' | | | | |
| - | 500703 | 4 | 'B' Marker | | | | |
| - | 151002 | 1 | P.V.C. Plastic Sleeving 8mm 7cm Long | | | | |
| - | 7-978-990503 | 1 | Cable (White) 1mm x 40cm Long | | | | |